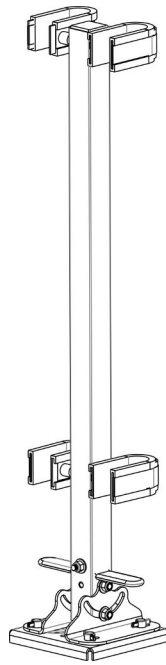




**Compact Floor Mount Removable  
Gun Holder  
Mounting Instructions**



Read and follow all instructions before installation and use  
of your Rugged Gear Floor-Mount Gun Holder

**Part No. 10082**

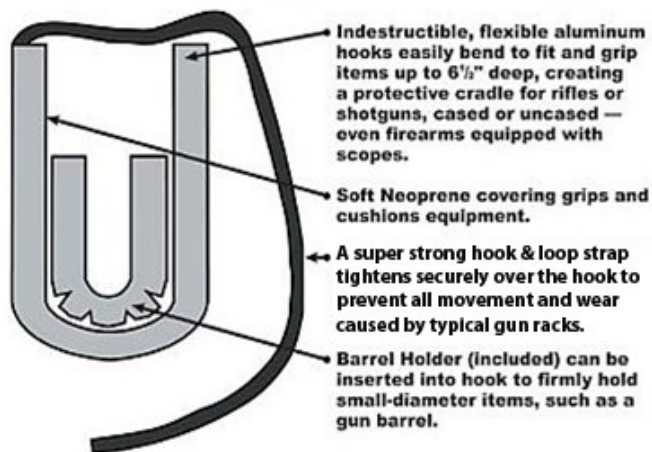
**Patent No. 53440032**

**Follow all Federal, State and Local Laws and Regulations.  
Never put a loaded gun in a Rugged Gear Holder!**

Rugged Gear Floor Mount Gun Holders are the absolute best gun holders you can buy to prevent movement of your equipment, thereby protecting guns from stock and bluing wear.

Made of powder-coated heavy-duty steel and stainless steel hardware for all weather conditions, the Floor-Mount securely holds one or two shotguns, rifles, or most rifles with scopes.

**The Patented Rugged Gear Hook System**

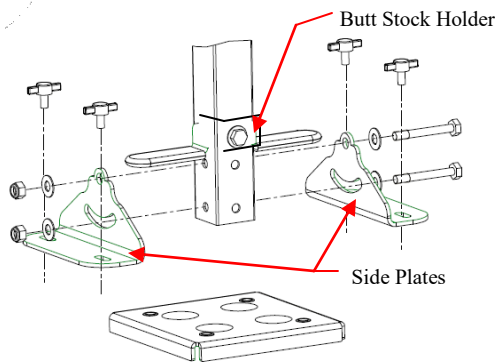


**INSTALLATION** — Before installing Floor Mount, make sure the location you choose allows clearance for the tallest items you intend to carry, and that floor area measures at least 6" x 6" for the base. (Note: Rugged Gear Floor Mount has 70 degrees of total angled movement.)

**FLOOR MOUNT KIT INCLUDES:**

- Square Tube with 4 holders
- Butt stock holder
- 4 Bolts, Nuts, and Washers for mounting Gun Holder to floor
- 3 5/16-18 UNC Hex Bolt
- 3 5/16-18 UNC Hex Nut Locking
- 6 5/16 FL Washers
- 2 Side Plates
- 2 Barrel Holders
- 4 T-screws
- Base Plate

Note: To prevent galling or seizing of stainless steel threads, lubricate fasteners before assembly.



## FLOOR MOUNT GUN HOLDER ASSEMBLY

- Attach two side plates to gun holder using the 5/16-18UNC Hex Bolts, nuts, and washers. See Figure 1. Use the 5/16-18 UNC Hex Bolt, nut, and washer to secure Butt Stock Holder to outside of upper hole in square tube. See Figure 1.

FIGURE 1

### MOUNTING METHOD:

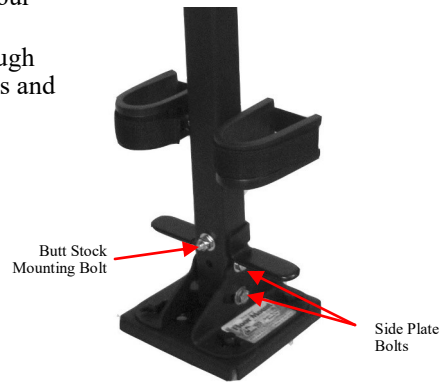
#### *With included bolts, washers & nuts*

- Using Base Plate as a template, drill four 1/4" holes in floor.
- Insert 1/4-20 UNC x 1 5/8" bolts through base into holes in floor; install washers and nuts from underside.
- **Tighten securely**

#### **Adjusting Angle of Holder:**

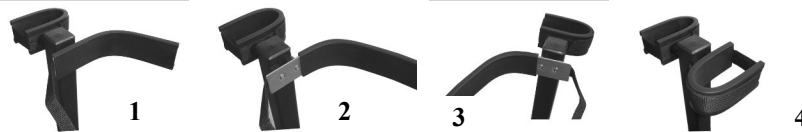
Loosen the two side plate bolts. Adjust Holder to desired angle; retighten side plate bolts.

Note: It may be necessary to loosen the butt-stock mounting bolt for wrench clearance.



### ADJUSTABLE HOOK CONFIGURE CHANGES:

Your Rugged Gear Hook System can be changed to allow firearms to be mounted in opposite directions, if so desired, by removing hooks from one side and changing position 180°. See the following steps:



Straighten hook (1), pull back neoprene channel, remove two #8 Phillip's head screws (2), turn hook to opposite position (180°) and reattach with same screws (3). Push neoprene channel over screws and reform hook (4). Repeat process for bottom hook.

#### **NORMAL OPERATION**

- Pull back the hook & loop strap of each hook.
- If needed, insert Barrel Holder into the hook for securing the gun barrel.
- The hooks on the Holder can be bent and shaped to tightly fit whatever item is being put into them. For maximum holding protection, “overbend” each hook so that it is smaller than the item to be held, then force the item into the hooks.
- Squeeze hooks tightly against object and secure hook & loop straps.
- Verify that guns are held tightly and re-righten if necessary.

#### **EXTREME USE TIPS AND SUGGESTIONS:**

If your gun holder is constantly exposed to sun, rain, or mud etc. or commercial use (e.g. hunting preserves). Rugged Gear recommends replacing the hook & loop straps on an annual basis or sooner, if upon inspection of the hook & loop is showing signs of wear. Replacement hook & loop kits are available from Rugged Gear Product No.10800 or complete Single Hook Assembly Product No. 10780.

#### **GUARANTEE**

Rugged Gear Holders have a 60-day money-back guarantee. If you are not completely satisfied, return them for a full refund

#### **ALSO AVAILABLE:**

**Rugged Gear *Removable and Permanent* Floor Mount Holders  
AND  
Rugged Gear *Compact Permanent* Floor Mount Holder**

*To purchase additional Barrel holders or for more information on Rugged Gear shooting and handling equipment and accessories, contact:*



(800) 784-4331 or (605) 356-2491 · Fax (800) 784-3268  
Elk Point, SD 57025-9702 U.S.A.  
www.ruggedgear.com · e-mail: sales@ruggedgear.com